

**zehnder** *charleston pro*

**zehnder**



# zehnder charleston pro

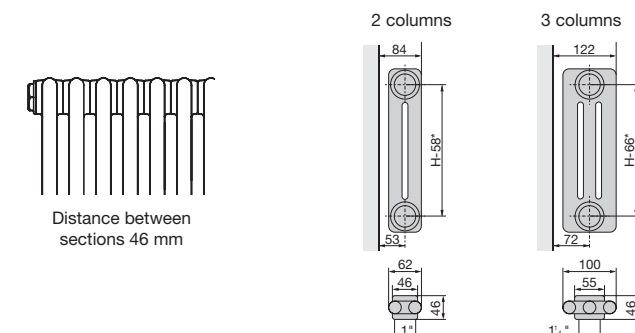
Zehnder Charleston Pro is a steel tube radiator suitable for any heating systems and has > 25 year service life under normal use and installation conditions, including under water conditions which expect corrosion.

By virtue of the special application technique for the inside coating layer, patented by Zehnder, this became the first modern heating device to combine the corrosion resistance benefits of cast iron radiators with contemporary design features of steel radiators. We are referring to the thin-layer anti-corrosion barrier that is applied to the radiator's inside surfaces. Initially, the layer is dried at 160°, with subsequent oven drying at 300°.

Zehnder Charleston Pro radiators feature the same benefits as the entire Zehnder Charleston model line, namely:

- Wide selection of models - Charleston Pro radiators are made as 2-column and 3-column models, with height from 260 to 2000 mm, with a maximum of 40 sections.
- Various connection codes.
- Completo-type assembly with an internal valve and bottom connections can be provided by special order.
- High quality enamel finish - colour selection shown in Zehnder catalogue.
- Easy and simple cleaning of the rad with the special Zehnder brush made of lamb's wool.

Model	Overall height (mm)	Overall depth (mm)	Heat capacity (W)	
			$\Delta T=50K$ (per section)	$\Delta T=60K$ (per section)
2026	260	62	21	26
3026	260	100	28	35
2030	300	62	24	30
3030	300	100	32	40
2035	350	62	28	35
3035	350	100	37	47
2037	370	62	31	39
3037	366	100	38	48
2040	400	62	31	39
3040	400	100	42	53
2045	450	62	35	44
3045	450	100	47	59
2050	500	62	38	48
3050	500	100	52	65
2055	550	62	42	53
3055	550	100	56	70
2056	558	62	42	53
3057	566	100	57	72



The corrosion protection effect is provided by:

- Protective barrier: multitude of overlaid zinc and aluminum particles create an excellent barrier and avert the oxygen's destructive effect upon steel.
- Galvanic action: under corrosive conditions, zinc unfailingly protects steel.
- Etching of the inside surfaces: metal oxides on the surface of the protective layer retard the corrosion of zinc and steel.
- Cathodic protection: damaged zones are filled by oxides and carbonates; no deep corrosion of metal occurs even in case of heavy surface damage.
- The protective layer has no negative environmental impact: no contaminants are emitted.
- Radiators with protective layer can be used anywhere (including in open heating systems)

Model	Overall height (mm)	Overall depth (mm)	Heat capacity (W)	
			$\Delta T=50K$ (per section)	$\Delta T=60K$ (per section)
2060	600	62	45	57
3060	600	100	61	77
2075	750	62	55	69
3075	750	100	74	93
2090	900	62	64	81
3090	900	100	87	109
2100	1000	62	70	88
3100	1000	100	95	120
2110	1100	62	75	94
3110	1100	100	103	130
2120	1200	62	83	104
3120	1200	100	115	145
2150	1500	62	104	131
3150	1500	100	140	176
2180	1800	62	124	156
3180	1800	100	166	209
2200	2000	62	138	174
3200	2000	100	183	230



Zehnder Group  
Export Division  
Information Office  
Almweg 34  
D-77933 Lahr  
Tel. +49 (0) 7821 586 392  
Fax +49 (0) 7821 586 406  
zehnderexport@zehndergroup.com  
www.zehnder.eu



Zehnder Group  
Export Division  
Information Office  
7, rue Jean Mermoz  
F-91031 Evry Cedex  
Tél 33 1 69 36 16 15  
Fax 33 1 69 36 15 33  
export@zehndergroup.com  
www.zehnder.eu

**zehnder**